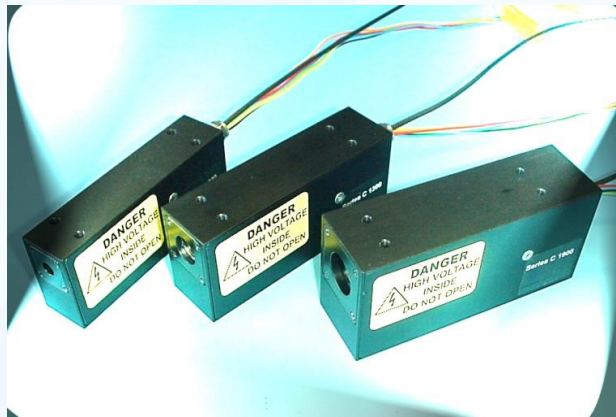


Customized Photon Multiplier Module Head PV- HM 9XZ / 13XZ /19XZ series

Preliminary Datasheet



**- High Voltage Power Supply incorporated -
For Counting and DC Application**

APPLICATIONS

- ❖ Photon counting
- ❖ Luminescence & fluorescence spectroscopy
- ❖ Microplate readers
- ❖ Clinical diagnostics
- ❖ DNA & cell analysis
- ❖ Particle measurements
- ❖ Industrial spectroscopy
- ❖ Nucleic acid amplification (PCR)

FEATURES

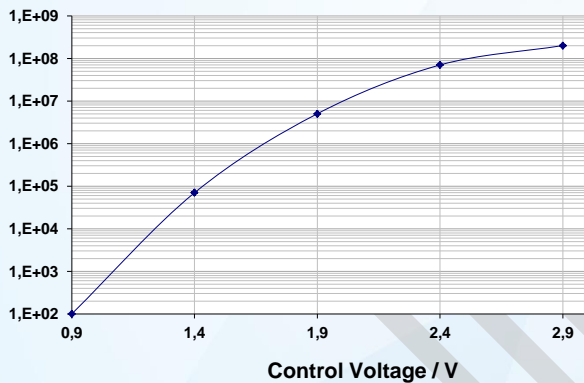
- ❖ Extremely low background noise
- ❖ Best low light level detection limits
- ❖ High dynamic range & gain
- ❖ Low microphonic & magnetic sensitivity
- ❖ Compact size & rugged design
- ❖ Multiple photocathode and window selections
- ❖ Plug and play for shortest design-in and time-to-market
- ❖ Customizations and added features available

The Channel Photomultiplier module HM - series is designed for an easy to use application for both photoncounting and analogue dc operating modes. It contains an adjustable high voltage supply and a Customized Photo Multiplier of the C - series. The module offers also the possibility to apply an external gate function for time correlated photon counting or active quenching control.

Strong variations in light levels are possible due to the high dynamic range of the installed CPM.

The exceptional low noise and high sensitivity facilitates detection of extremely weak light levels.

Current Amplification/vs Control Voltage



The modules can be equipped with various Customized Photo Multipliers in respect to window photocathode-material and active area.

Specification Parameters

Parameter	Min	Typ	Max	Unit
Supply Current			0.2	A
Supply Voltage	4.9	5.0	5.5	V
Settling Time (time to stabilize HV after supply voltage applied)			1	s
Gain ⁽¹⁾			1 x 10 ⁸	
GATE settling time t _{gate} -> high to low		150		µs
GATE settling time t _{gate} -> low to high		150		µs
High Voltage pre-adjusted		2400		V
High Voltage ADJUST ⁽²⁾	0		2900	V
Monitor Voltage Out		$\frac{V_{ChannelEntrance}}{1000}$		V
Operating Temperature	5		40	°C
Storage Temperature	-20		50	°C

- 1) by internal potentiometer (or by external control voltage 0...3 V via ext. OpAmp circuit, see Fig.2)
2) adjusted voltage refers to V_{ChannelEntrance}

Absolute Maximum Ratings

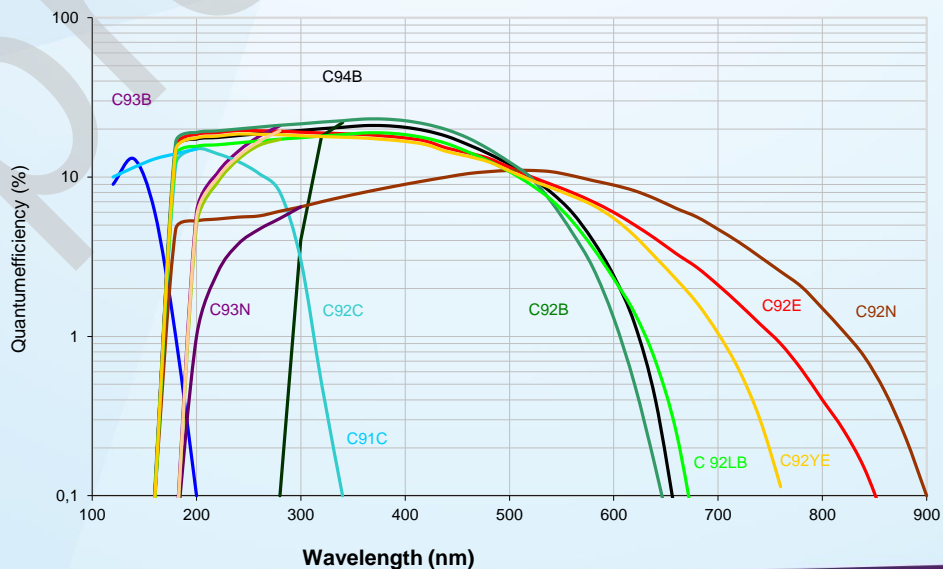
Input Voltage	+5.5V
Max. Anode Current	10µA for max. 30 seconds
Operating Temperature	+5 to +40°C
Storage Temperature	-20 to +50°C
Weight	~ 225g /290g / 370g (HM 9XZ / HM 13XZ / HM 19XZ)

List of Module Variations

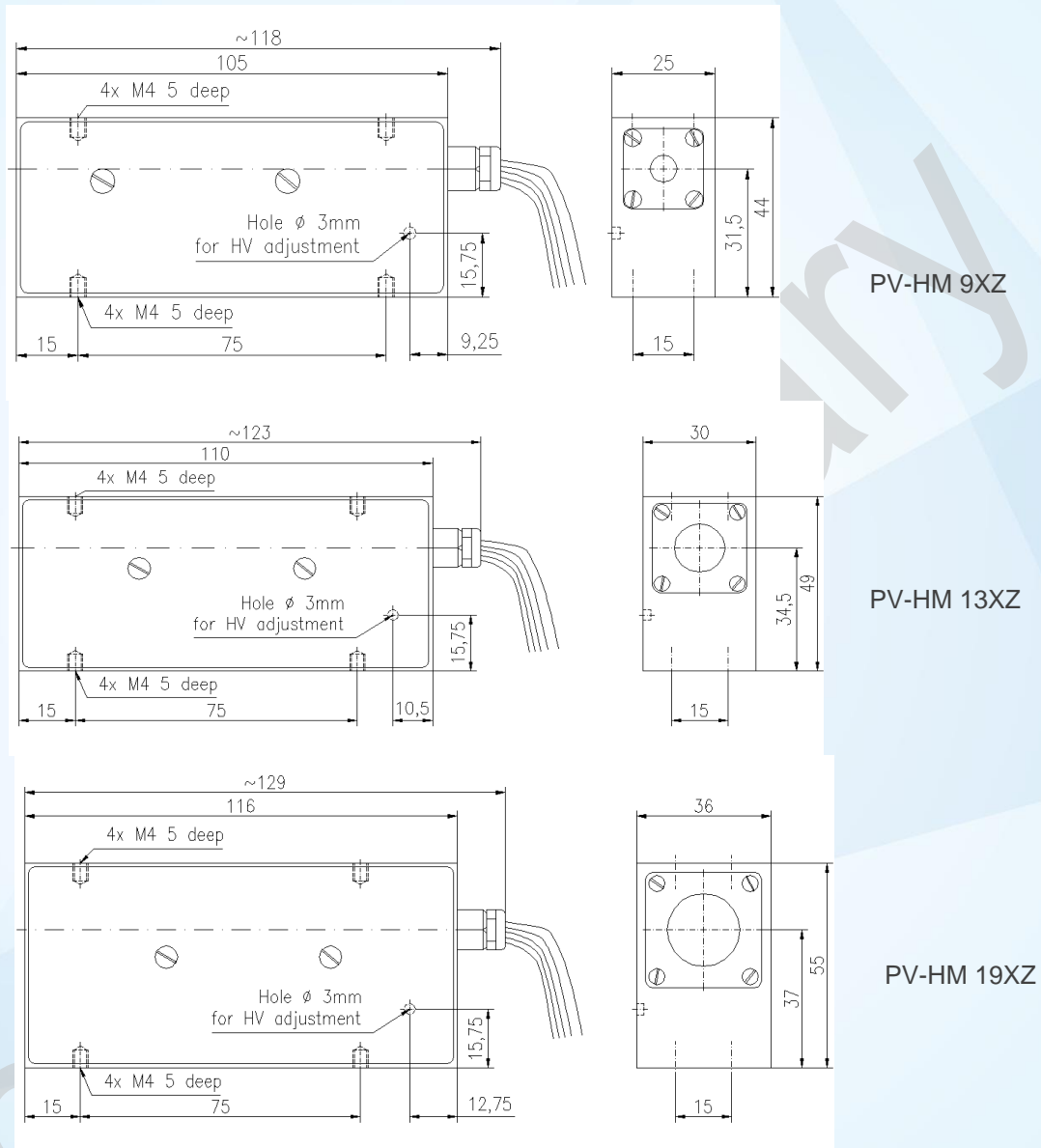
Model (also order no.)	Detector type	Photocathode diameter	Window material	Photocathode material	Spectral response / nm	Quantum efficiency	Typ. dark counts per second (cps)	Typ. dark current (pA) @ 5x10 ⁷ Gain	
HM 91CI HM131CI HM191CI	Customized Photo Multiplier (CPM)	HM 9XZ min. 5mm	MgF ₂ (1)	Csl (CI)	115-200	Peak Value 20% typical (ext. red MA: 10% typ.)	0.1	2	
								0.4	8
								1	20
HM 92B HM132B HM192B			Quartz (2)	Bialkali (B)	165-650		10	80	
								40	320
								100	800
HM 93B HM133B HM193B			UV Glass (3)	Bialkali (B)	185-650		10	80	
								40	320
								100	800
HM 92E HM132E HM192E			Quartz	S20 (E)	165-850		100	1.000	
								400	4.000
								1000	10.000
HM 93E HM133E HM193E			UV Glass	S20 (E)	185-850		100	1.000	
								400	4.000
								1000	10.000
HM 92N HM132N HM192N			Quartz	S25 (N)	165-900		500	5.000	
								2000	20.000
								5000	50.000
HM 93N HM133N HM193N	UV Glass	S25 (N)	185-900	500	5.000				
					2000	20.000			
					5000	50.000			
HM 92LB HM132LB HM192LB	Quartz	Low Noise Bialkali (LB)	165-650	3	50				
					10	100			
					25	250			
HM 93LB HM133LB HM193LB	UV Glass	Low Noise Bialkali (LB)	185-650	3	50				
					10	100			
					25	250			
HM 92YE HM132YE HM192YE	Quartz	Yellow Enhanced (YE)	165-750	10	80				
					40	320			
					100	800			
HM 93YE HM133YE HM193YE	UV Glass	Yellow Enhanced (YE)	185-750	10	80				
					40	320			
					100	800			

PV_HM_PhotonDetectionModuleHead_201605.docx
Subject to change without notice

Spectral response of various CPM types



Module Dimensions (mm) for Different CPM Formats



PV_HM_PhotonDetectionModuleHead_201605.docx
Subject to change without notice

Window Material = X		Photocathode Type = Z	
MgF ₂	=1	Cesium Iodid	=CI
UV-Glass	=2	Cesium Tellurid	=C
Quartz	=3	Bialkali	=B
Borosilicat	=4	LowNoise Bialkali	=LB
		S20	=E
		S25	=N
		YellowEnhanced	=YE